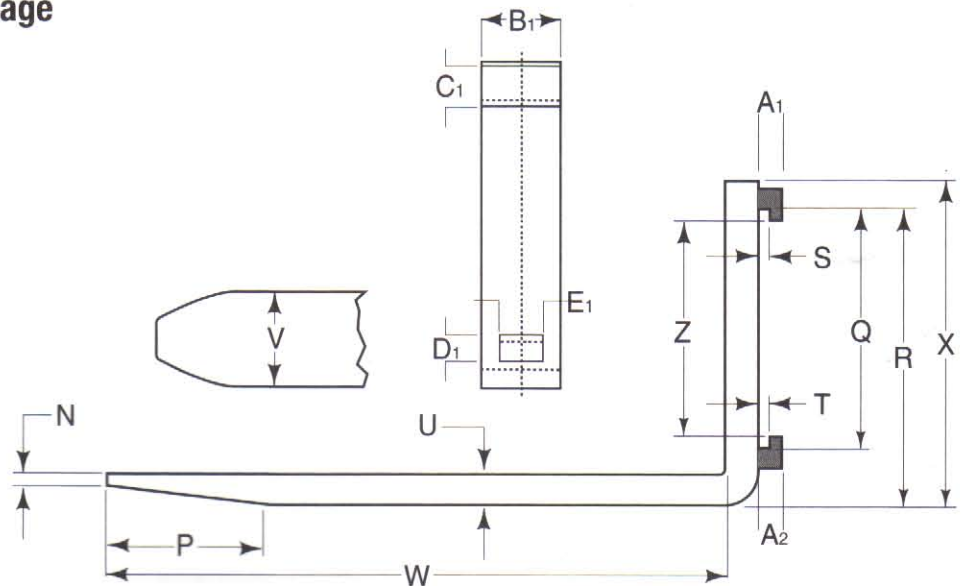


Company _____
 Address _____
 Contact name _____ Date _____ Tel. _____ Fax _____
 Truck make _____ Model _____ Truck basic capacity _____
 Fork capacity required per pair _____ kg Load centre _____ mm

Forks for square plate carriage

A₁ = _____
 A₂ = _____
 B₁ = _____
 C₁ = _____
 D₁ = _____
 E₁ = _____
 N = _____
 P = _____
 Q = _____
 R = _____
 S = _____
 T = _____
 U = _____
 V = _____
 W = _____
 X = _____
 Z = _____



Are pin kits fitted? YES / NO
If NO, see note ② below.
If YES, what size?

General Notes:

- ① Standard toes and tapers will be supplied, unless specific dimensions are shown at N and P above. N.B. Non-Standard requirements MAY be more expensive.
- ② Pin Kit: Under the provisions of machinery directive 98/37EEC "means shall be provided to prevent unintentional lateral displacement of the fork arms on the fork carrier". If no pin kit is shown above, it is your responsibility to ensure an alternative means is in use. We will be only too pleased to advise on this.